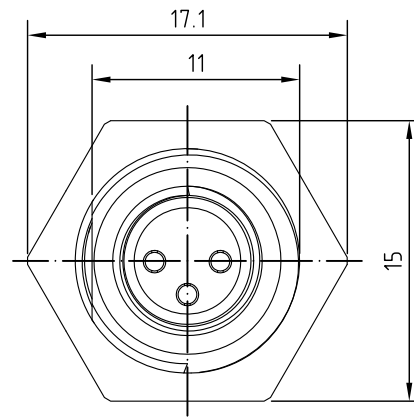
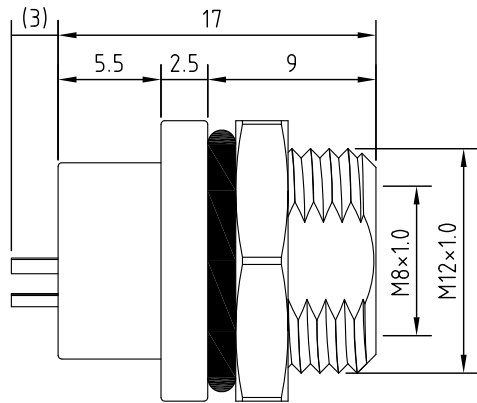


Recommended Panel cut-out



REV.	Description	Date
5	rated voltage revise	2018/10/5
6	panel cut-out dimension revise	2020/9/16
7	part number change	2026/5/18

Specification of connector

Locking system : screw M8
 Termination : solder
 Shell protection : IP68
 Contact resistance : $\leq 10\text{m}\Omega$
 Insulation resistance : $> 10\text{M}\Omega$

RoHS
 TOLERANCE X ± 0.5 .X ± 0.3

5	Nut	Brass/Nickel plated
4	O ring	Rubber
3	Body	Brass/Nickel plated
2	Pin	Brass/Gold plated
1	Housing	PA/UL94V-0
Item	Description	Material&Plating

CONTACT ARRANGEMENT FRONT VIEW (FEMALE)	03P	04P	05P	06P
Rated voltage	125V		60V	
Rated current	5A		2A	



Unicable Co., Ltd. 國陽電業有限公司

5F., No. 111-33, Sec. 4, San Ho Road., San Chung Dist., New Taipei City, Taiwan
<http://www.unicable.com.tw> Tel:+886-2-2286-2122 Fax:+886-2-2286-1010

PART NO.	3011A-A11F21xxx-01/UT-SP205M-XP-01		
DATE	2026/5/18	UNIT	MM
DWN	GINA	REV.	7
CHK			

ITEM	Sensor Connector M8
------	---------------------